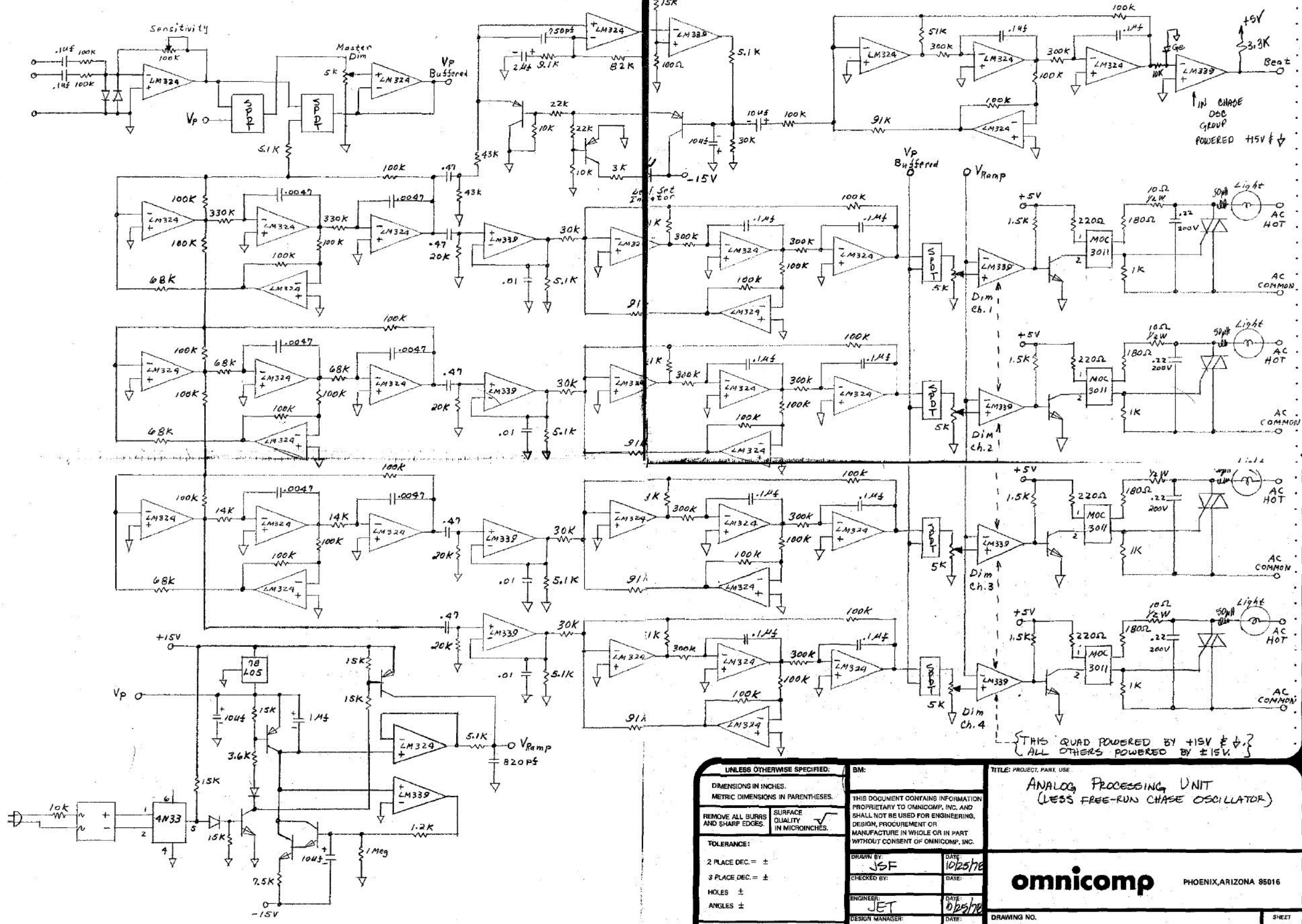


REVISION				
ISSUE	REL/CN NO.	DATE	APPD	DESCRIPTION



UNLESS OTHERWISE SPECIFIED:  
 DIMENSIONS IN INCHES.  
 METRIC DIMENSIONS IN PARENTHESES.  
 REMOVE ALL BURRS AND SHARP EDGES.  
 SURFACE QUALITY IN MICROINCHES. ✓  
 TOLERANCE:  
 2 PLACE DEC. = ±  
 3 PLACE DEC. = ±  
 HOLES ±  
 ANGLES ±  
 SCALE:  
 DO NOT SCALE DRAWING

BM:  
 THIS DOCUMENT CONTAINS INFORMATION PROPRIETARY TO OMNICOMP, INC. AND SHALL NOT BE USED FOR ENGINEERING, DESIGN, PROCUREMENT OR MANUFACTURE IN WHOLE OR IN PART WITHOUT CONSENT OF OMNICOMP, INC.  
 DRAWN BY: JSF  
 CHECKED BY:  
 ENGINEER: JET  
 DESIGN MANAGER:  
 DATE: 10/25/78  
 DATE:  
 DATE:  
 DATE:  
 DATE:  
 TITLE: PROJECT, PART, USE  
**ANALOG PROCESSING UNIT**  
 (LESS FREE-RUN CHASE OSCILLATOR)  
**omnicomp** PHOENIX, ARIZONA 85016  
 DRAWING NO. SHEET