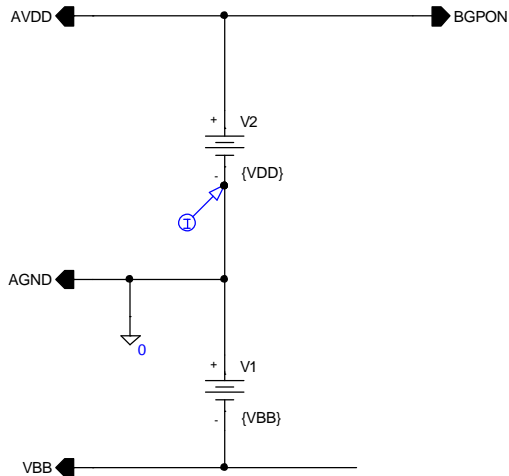


ANALOG INNOVATIONS, Inc.  
 824 E. CATHEDRAL ROCK DRIVE  
 PHOENIX, AZ 85048-6300  
 (480) 460-2350 FAX: (480) 460-2142

Title: BandGap for XXXXXXXX		
Size A	FileName: ...\BandGap.sch	REV A
February 6, 2004, 11:07 AM		Sheet 1 of 2

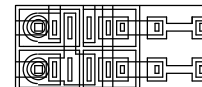
# SIMULATION ONLY PAGE



PARAMETERS:

VDD	3.3V
VBB	0

LIBRARY: C:\PSpice\DeviceLib\TSMC\_0p13G\TNTP.lib  
LIBRARY: C:\PSpice\DeviceLib\TSMC\_0p13G\PNP\_TYPI.lib  
LIBRARY: C:\PSpice\DeviceLib\TSMC\_0p13G\RES\_TYPI.lib



ANALOG INNOVATIONS, Inc.  
824 E. CATHEDRAL ROCK DRIVE  
PHOENIX, AZ 85048-6300  
(480) 460-2350 FAX: (480) 460-2142

Title:  
BandGap for XXXXXXXX

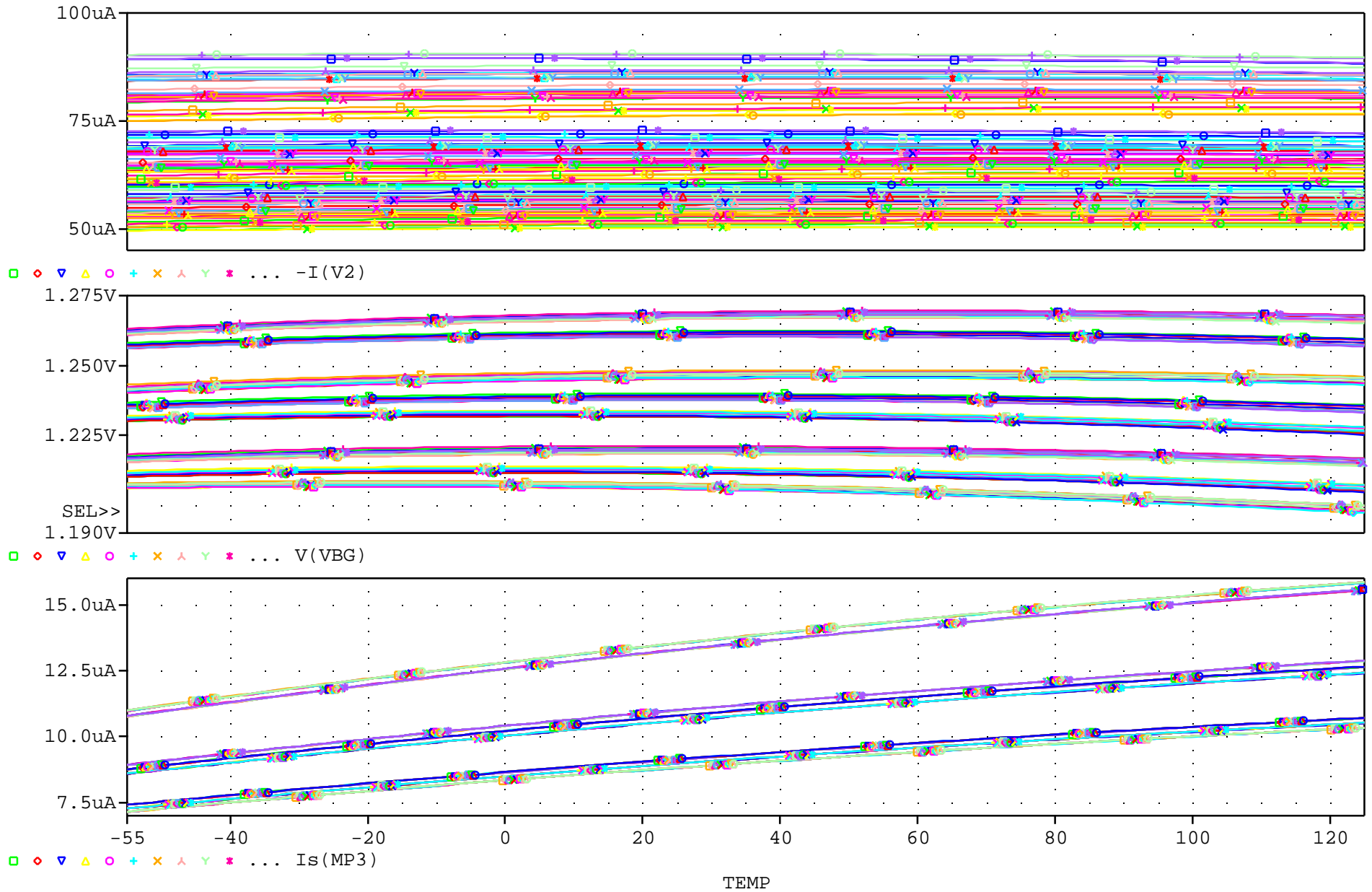
Size A  
FileName: ...BandGap.sch

REV  
A

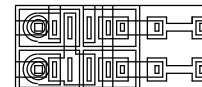
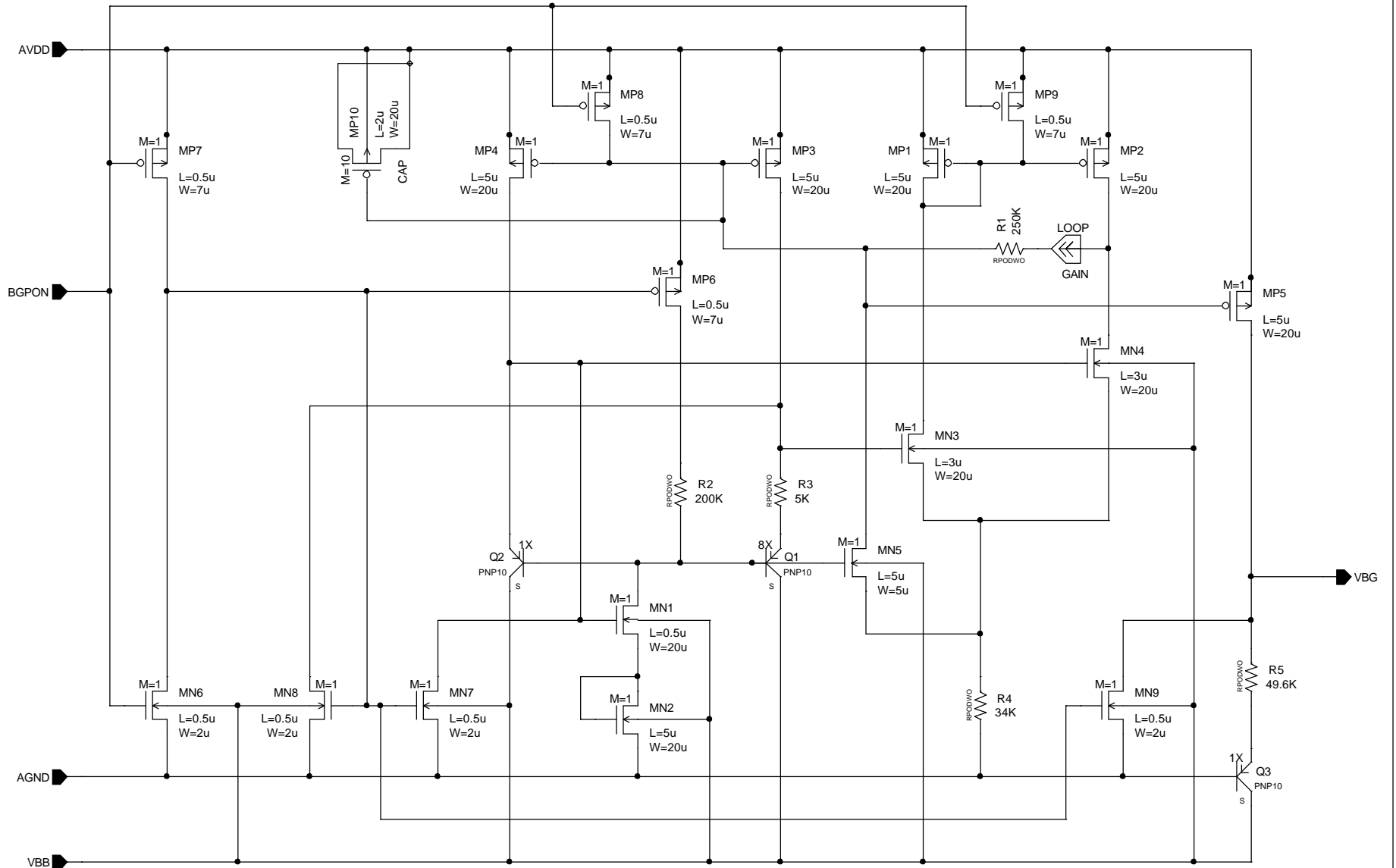
February 6, 2004, 11:07 AM

Sheet 2 of 2

BandGap... 45 Process Corners plus VDD = 2.7V, 3.3V, 3.9V



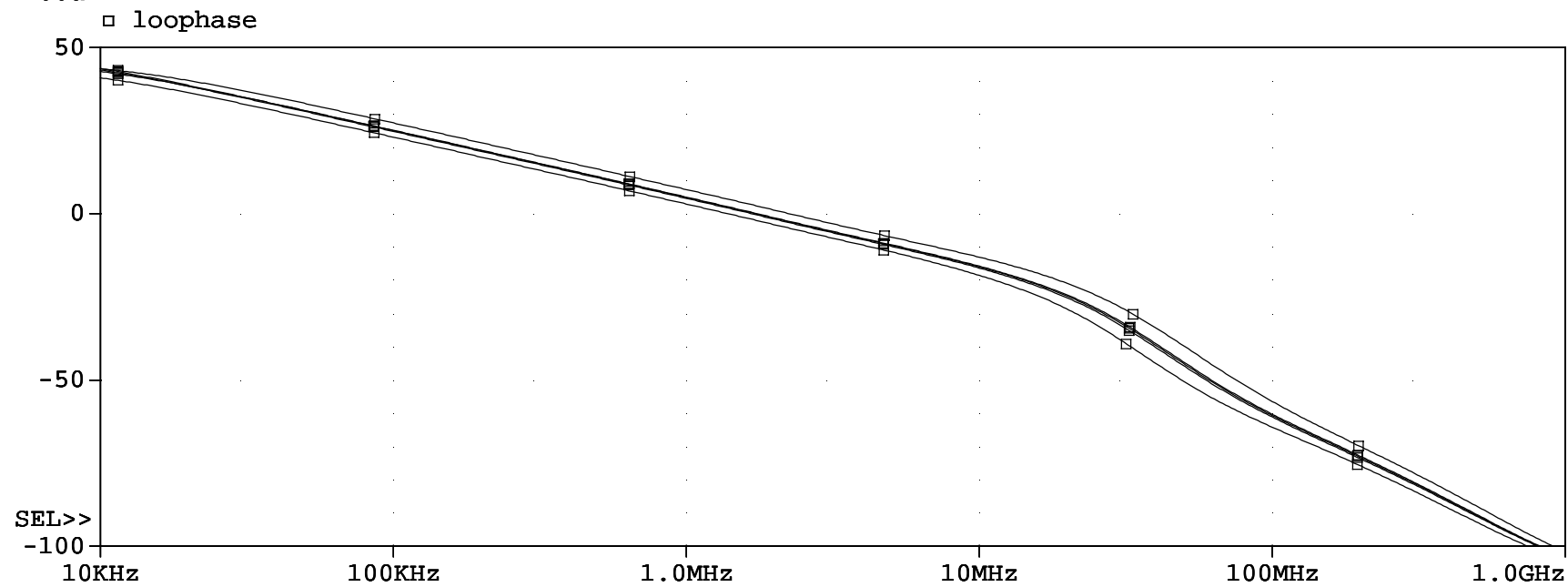
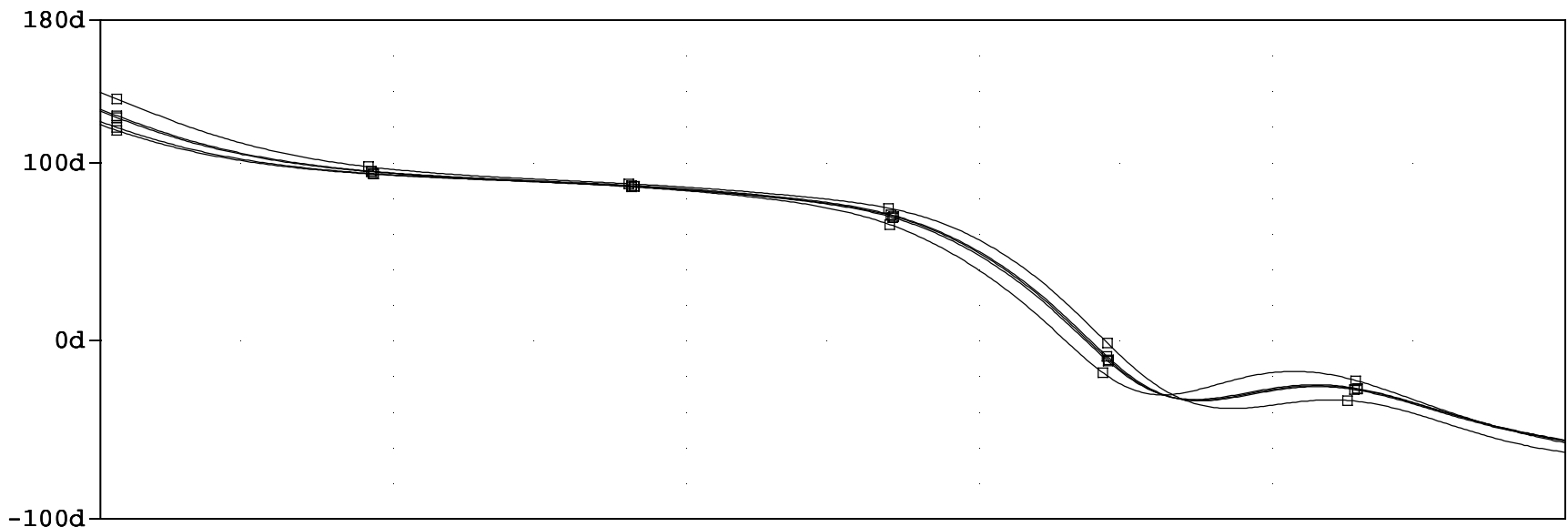
SIMULATION ONLY PAGE



ANALOG INNOVATIONS, Inc.  
 824 E. CATHEDRAL ROCK DRIVE  
 PHOENIX, AZ 85048-6300  
 (480) 460-2350 FAX: (480) 460-2142

Title: BandGap for XXXXXXXX - AC Analysis		
Size A	FileName: ...BandGap-AC.sch	REV A
February 6, 2004, 11:38 AM		Sheet 1 of 2

(A) BandGap-AC.dat (active)



□ loopphase

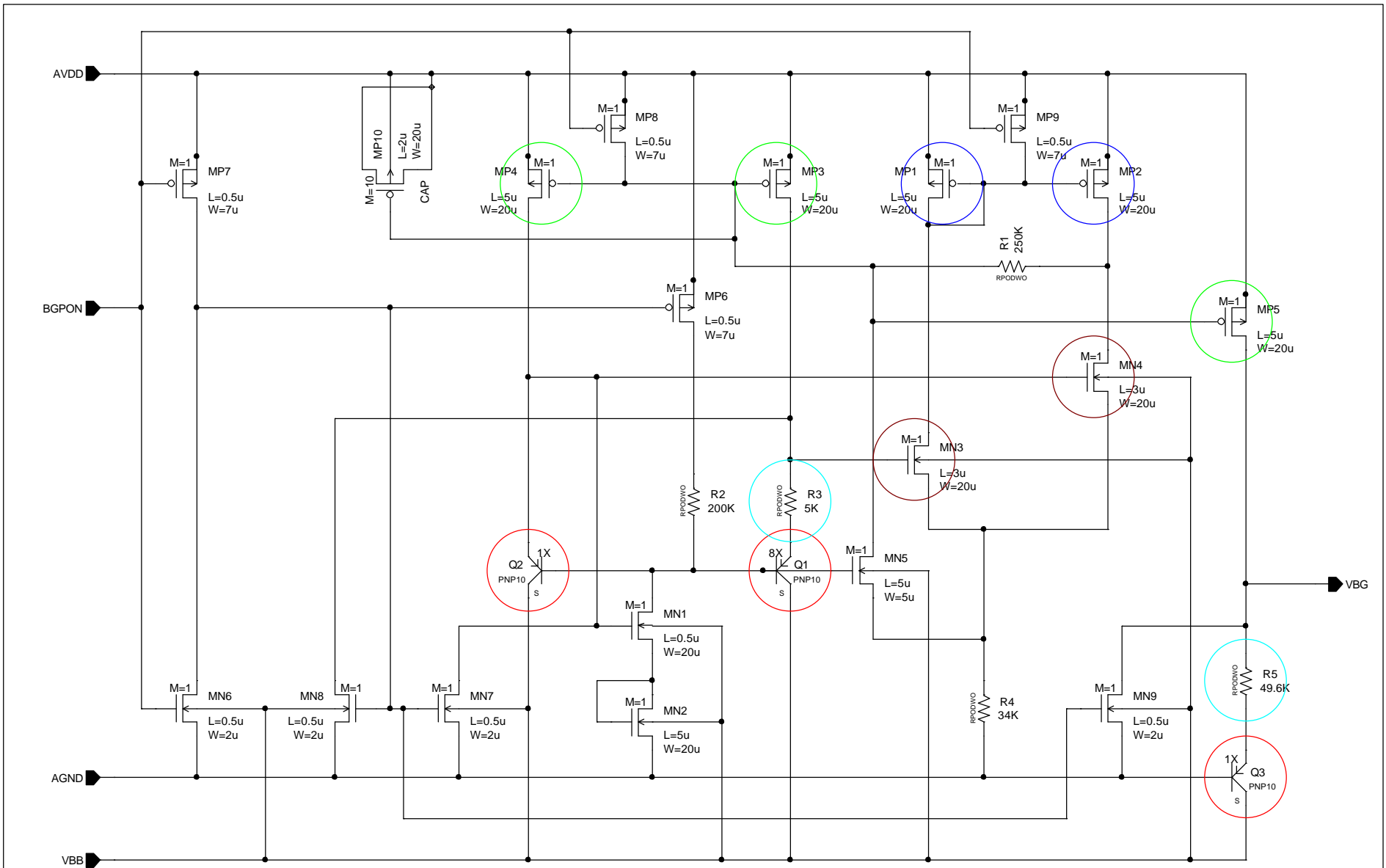
□ loopgain

Frequency

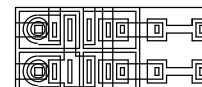
Temperature(s): ALL

February 06, 2004

Analog Innovations, Inc.  
824 E. Cathedral Rock Drive  
Phoenix, AZ 85048-6300  
(480)460-2350



**CRITICAL MATCHING INDICATED BY COLORED CIRCLES**  
**LAYOUT ADJACENT WITH SAME ORIENTATION**



ANALOG INNOVATIONS, Inc.  
 824 E. CATHEDRAL ROCK DRIVE  
 PHOENIX, AZ 85048-6300  
 (480) 460-2350 FAX: (480) 460-2142

Title: BandGap for XXXXXXXX - Device Matching Info for Layout		
Size A	FileName: ...BandGap-DeviceMatching.sch	REV A
February 6, 2004, 1:42 PM		Sheet 1 of 1